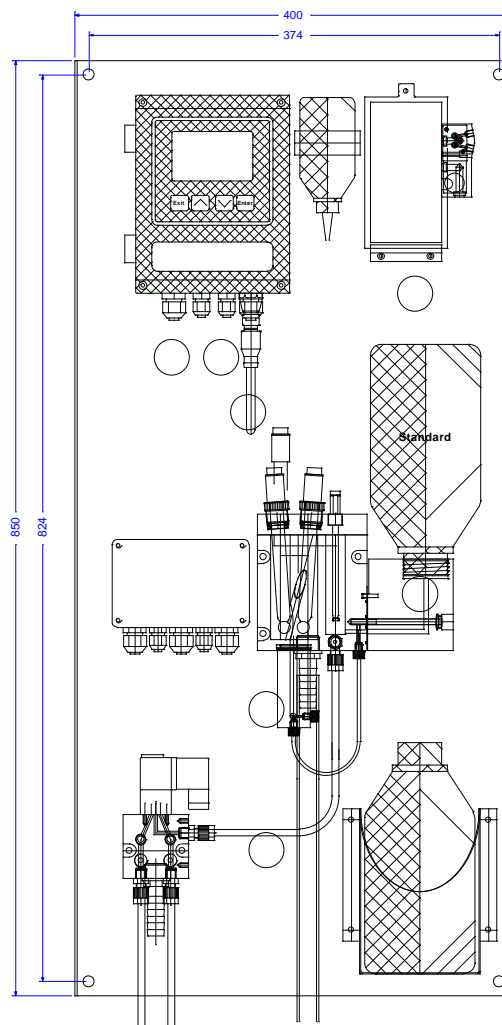


Analyzer for the continuous determination of dissolved sodium in the ppb-range for steam, condensate and high purity water. For samples with low pH (e.g. sampling after cation exchangers).

### Analyzer AMI Sodium A

- Complete Sodium analyzer panel-mounted for easy wall installation.
- Measuring range: 0.1 – 10'000 ppb Na (under reference conditions) with automatic range switching.
- pH controlled alkalization reagent addition allows to monitor samples with pH  $\geq 2$ .
- Option for second sample stream with programmable stream switching.
- Simple two-point calibration. Calibration history is stored in transmitter.
- Easy to use grab sample capability.
- Continuous sample flow detection.
- Automatic temperature compensation.
- Large backlit LCD display showing all measured values and status information simultaneously.
- Intuitive user interface with text menus. Simple input of all parameters by keypad.
- Factory tested, ready for installation and operation.



Analyzer with optional second sample stream

Order Nr.	Analyzer AMI Sodium A	A-24.451.100
Option:	<input type="checkbox"/> 3 <sup>rd</sup> current signal output (0/4 – 20mA)	A-81.420.050
	<input type="checkbox"/> Profibus DP & Modbus RTU interface (RS-485)	A-81.420.020
	<input type="checkbox"/> USB interface	A-81.420.042
Option:	<input type="checkbox"/> 2nd sample stream	A-83.590.044

## Analytical System

### Sodium measurement

Galvanically separated inputs for sodium electrode and calomel reference electrode (liquid junction: ground glass sleeve).

pH-conditioning with diisopropylamine, consumption approx. 1 L / 30 d at pH 7. Automatic temperature compensation.

Measuring ranges	Resolution
0 - 99.9 ppb	0.1 ppb
0 - 999 ppb	1 ppb
0 - 9.99 ppm	0.01 ppm

Automatic range switching.

Accuracy:

± 5% of reading after calibration

Repeatability: 5%

Response time: 180 s (95%)

### Sodium calibration

Manual 1- or 2-point calibration with direct standard injection.

### Sample specifications

pH value: ≥ pH 2.0

Ammonium concentration: < 50 ppm

Dissolved solids:

smaller than 10 ppm, no oil no grease

Flow rate: min. 100 ml/min.

Inlet pressure: 0.3 - 3 bar (4 - 43 PSI)

Outlet pressure: ambient pressure

Temperature: 5 - 45 °C (41 - 113 F)

### Temperature measurement

Temperature sensor SWAN NT5K

Measuring range: -10 to +100 °C

Resolution: 0.1 °C

### Flow cell

Made of acrylic glass with needle valve for flow adjustment.

### Process connections

Inlet connection: Serto PVDF 6 mm

Outlet connection: 1/2" for flexible tube

One or two (option) sample streams.

Stream switching time: ≥ 15 min.

## AMI Transmitter

Electronic case: Aluminum

Protection degree: IP 66 / NEMA 4X

Display: backlit LCD, 75 mm x 45 mm

Electrical connectors: screw clamps

Ambient temperature: -10 to +50 °C

Limit range of operation: -25 to +65 °C

Storage and transport: -30 to +85 °C

Humidity: 10 - 90 % rel., non condensing

### Power supply

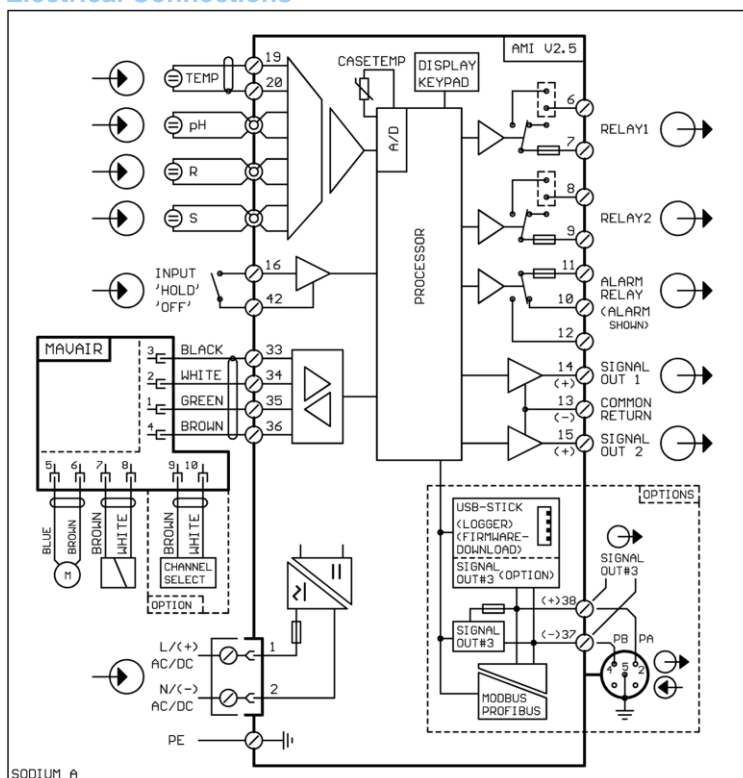
Voltage: 100 - 240 VAC (± 10 %),

50/60 Hz (± 5 %)

or 24 VDC, isolated (± 10 %)

Power consumption: max. 30 VA

## Electrical Connections



### Operation

Easy operation based on separate menus for "Messages", "Diagnostics", "Maintenance", "Operation" and "Installation".

Separate menu specific password protection possible.

Display of process value, sample flow, alarm status and time during operation.

Real-time clock with calendar for action time stamp and preprogrammed actions.

Storage of event log, alarm log and calibration history.

Storage of the last 1'500 data records in logger with selectable time interval.

### Safety features

No data loss after power failure, all data is saved in non-volatile memory.

Over voltage protection of in- and outputs.

Galvanic separation of measuring inputs and signal outputs.

### Monitoring of case temperature

Alarm if the temperature is higher than +65°C or lower than -25°C.

### 1 Alarm relay

One potential free contact for summary alarm indication for programmable alarm values and instrument faults.

Max. load: 1A / 250 VAC

### 2 Signal outputs

Two freely scaleable signal outputs for measuring values:

Sodium 0.1 - 10'000 ppb, linear or log  
Temperature 0 to +100 °C

Current loop: 0/4 - 20 mA

Max. burden: 510 Ω

Third signal output with same specifications as option.

### 2 Relay outputs

Two potential free contacts programmable as limit switches for measuring values.

Max. load: 1A / 250 VAC

Alarm delay: 0 - 6'000 s

### 1 Input

One input for potential-free contact, programmable as hold or remote off.

### 1 Communication interface (option)

- RS485 interface (galvanically separated) with Fieldbus protocol Modbus RTU or Profibus DP

- 3<sup>rd</sup> Signal output

- USB interface

## System Data

Panel dimensions: 400 x 850 x 200 mm

Panel material: Stainless steel V4A

Total weight: 12 kg